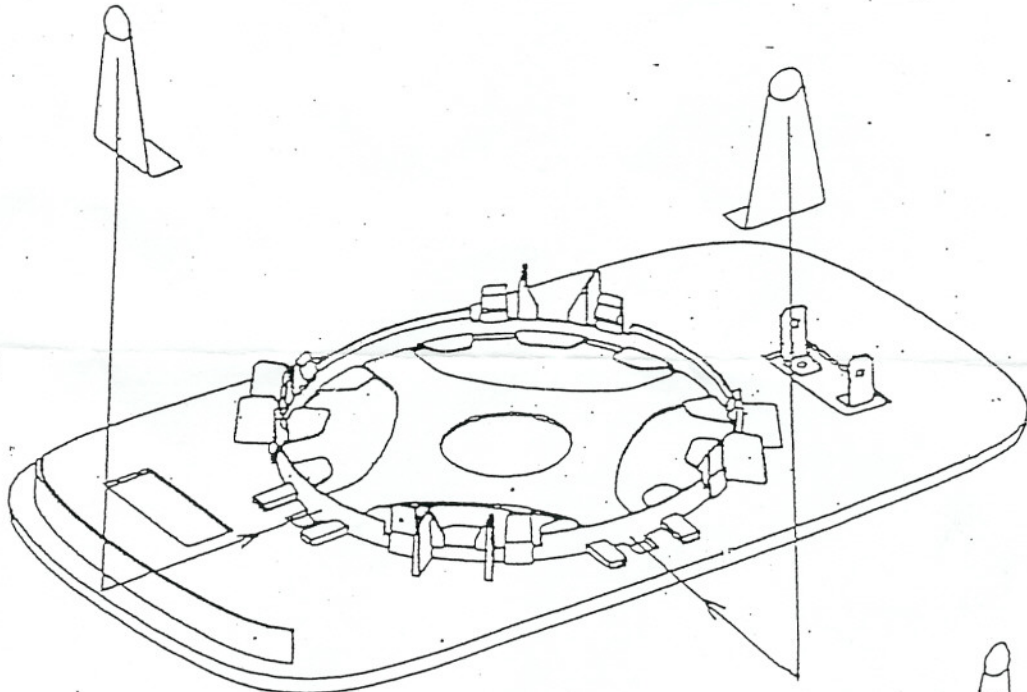


STEP	OPERATION
1	TAKE THE TWO SPRING PLATES
2	CLIP THE SPRINGS PLATES AS SHOWN ON THE SKETCHES BELOW
3	CONNECT THE HEATER CONNECTOR
4	CLIP THE GLASS SUBASSEMBLED ON THE POWER PACK WITH PRESSURE BY HAND

ISSUE	DATE
A	12/01/99

LEFT SIDE



RIGHT SIDE

